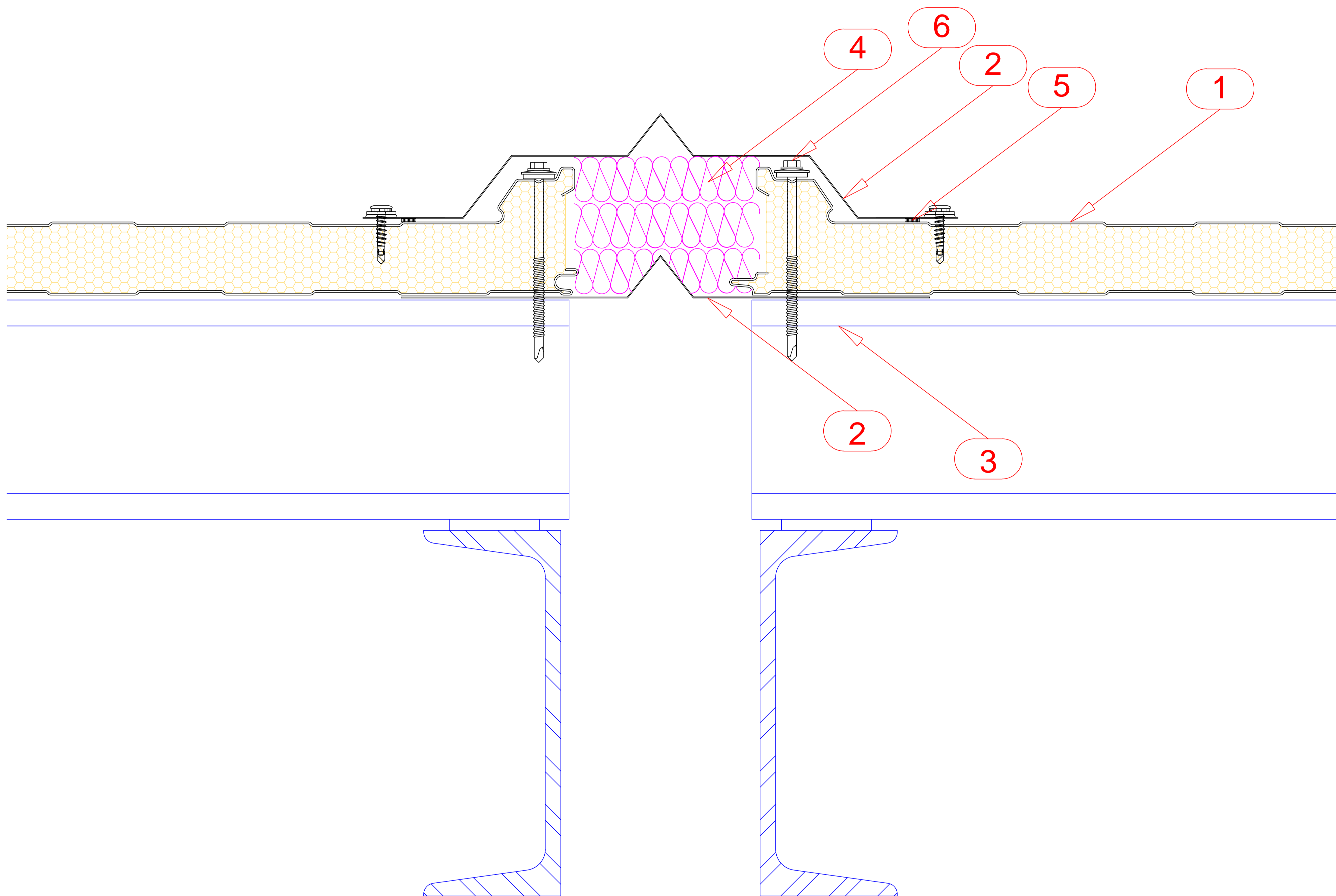


Contents of drawing:

## DILATATION DETAIL - ROOF

Date:	03.03.2017	Drawing no:	48
Drawn by:		Rev.	01
Scale:	1/5	File no:	



- 1. ROOF PANEL
- 2. DILATATION PROFILE
- 3. PURLIN
- 4. THERMAL INSULATION
- 5. SEALANT
- 6. FASTENER