

## GUTTER DETAIL

Date: 24.02.2017

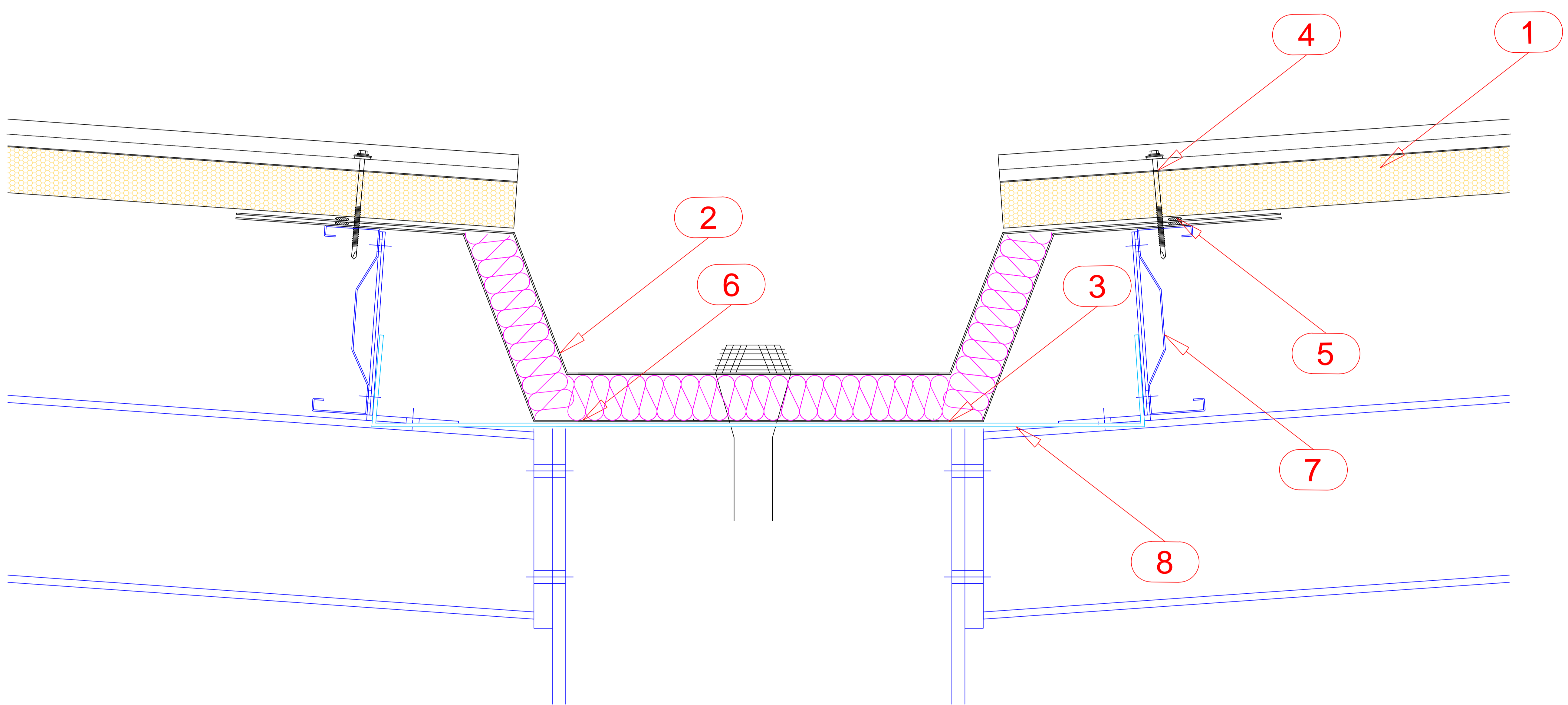
Drawing no: 26

Drawn by:

Rev.

Scale: 1/10

File no: D14



- 1. ROOF PANEL
- 2. GUTTER EXTERNAL SHEET (min. 1.5 mm)
- 3. GUTTER INTERNAL SHEET (min. 1.5 mm)
- 4. FASTENER
- 5. SEALANT
- 6. THERMAL INSULATION
- 7. PURLIN
- 8. ADDITIONAL SUPPORT